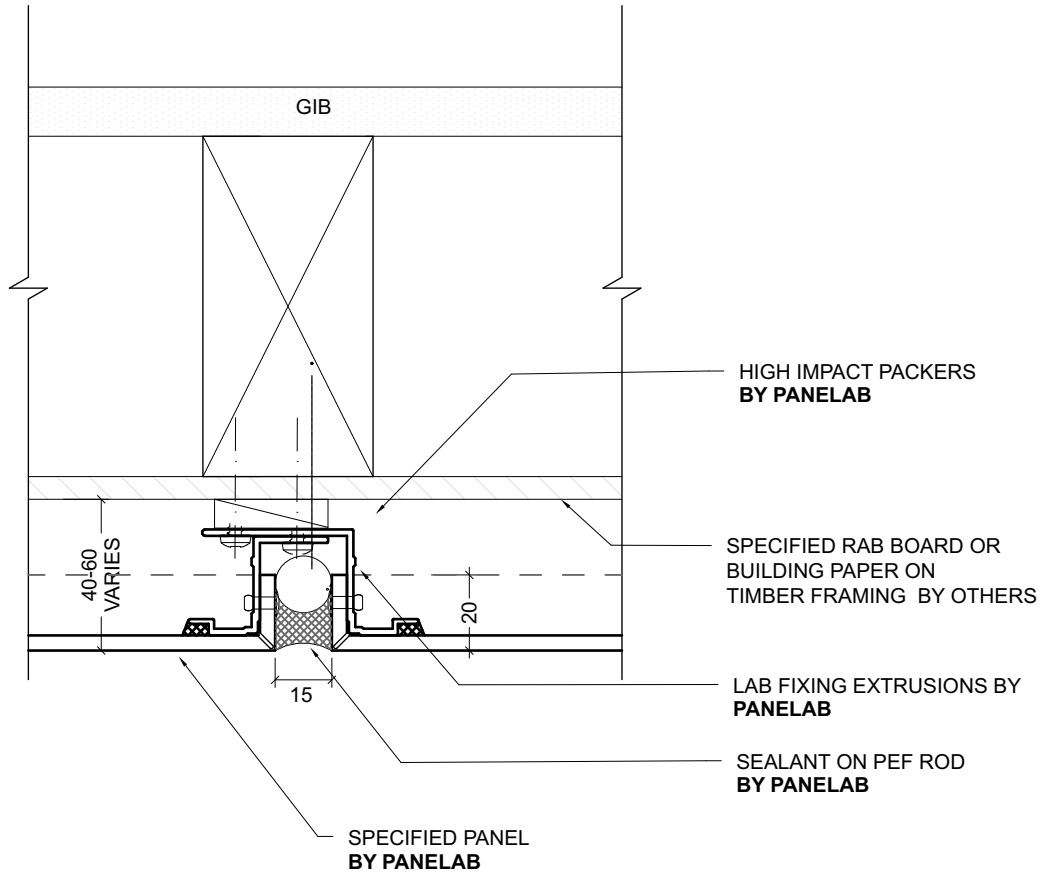




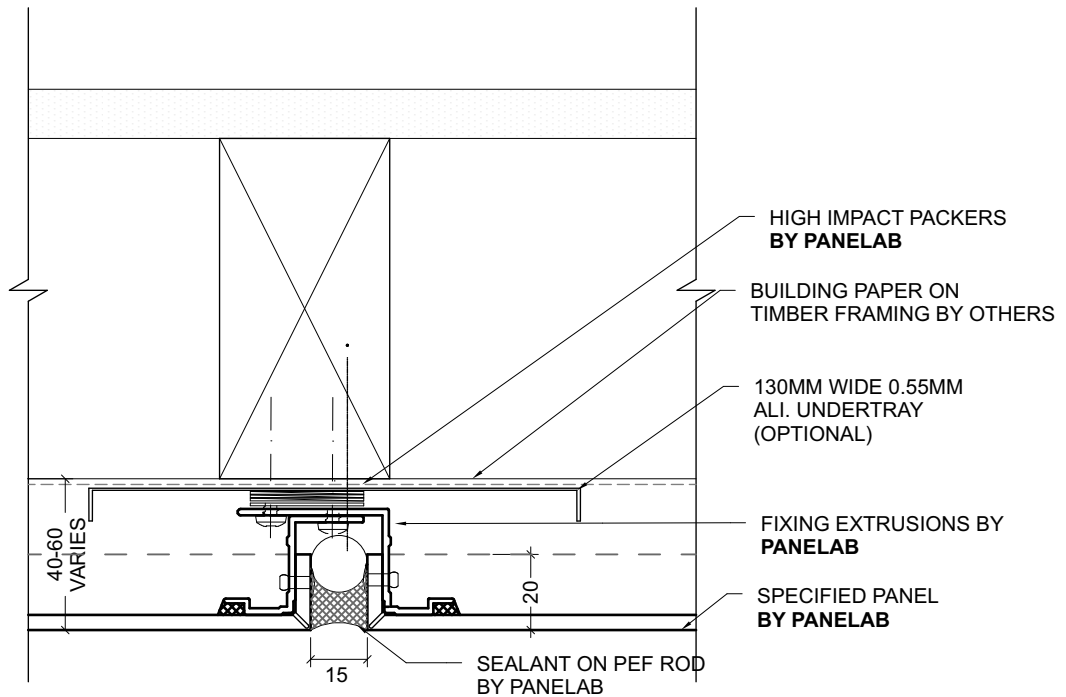
- 1.0 - TYPICAL VERTICAL JOINT DETAILS
- 2.0 - TYPICAL HORIZONTAL JOINT DETAILS
- 3.0 - TYPICAL RESIDENTIAL HEAD & SILL DETAILS
- 4.0 - TYPICAL RESIDENTIAL JAMB DETAILS
- 5.0 - TYPICAL COMMERCIAL HEAD & SILL DETAILS
- 6.0 - TYPICAL COMMERCIAL JAMB DETAIL
- 7.0 - TYPICAL INTERNAL CORNER DETAIL- WITH OTHERS
- 8.0 - TYPICAL INTERNAL CORNER DETAIL
- 9.0 - BASE DETAIL 1
- 10.0 - BASE DETAIL 2
- 11.0 - FASCIA TO SOFFIT JUNCTION DETAIL
- 12.0 - FASCIA TO SOFFIT JUNCTION DETAIL (2)
- 13.0 - INTERSTOREY JUNCTION DETAIL



TYPICAL VERTICAL JOINT DETAILS



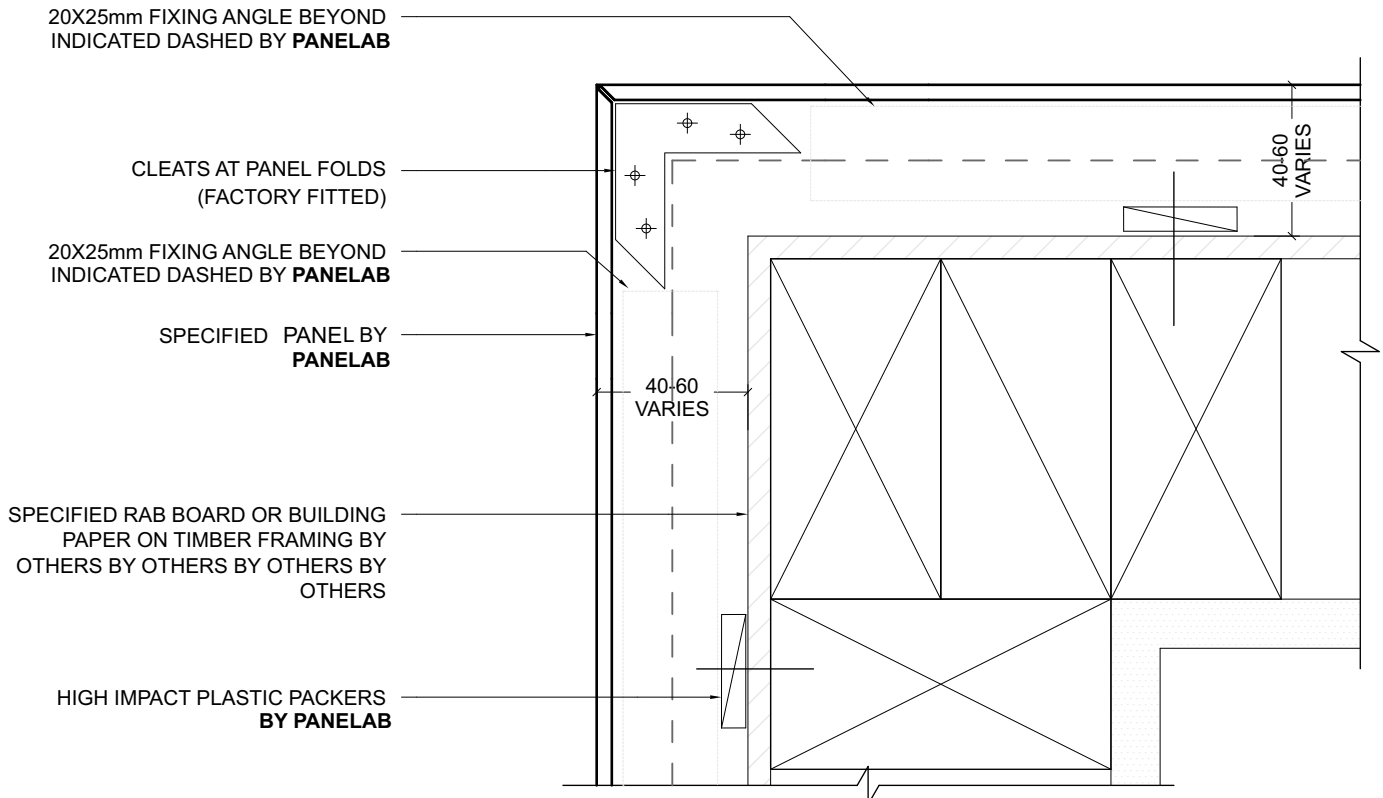
1 TYPICAL VERTICAL JOINT 1:2 @ A4



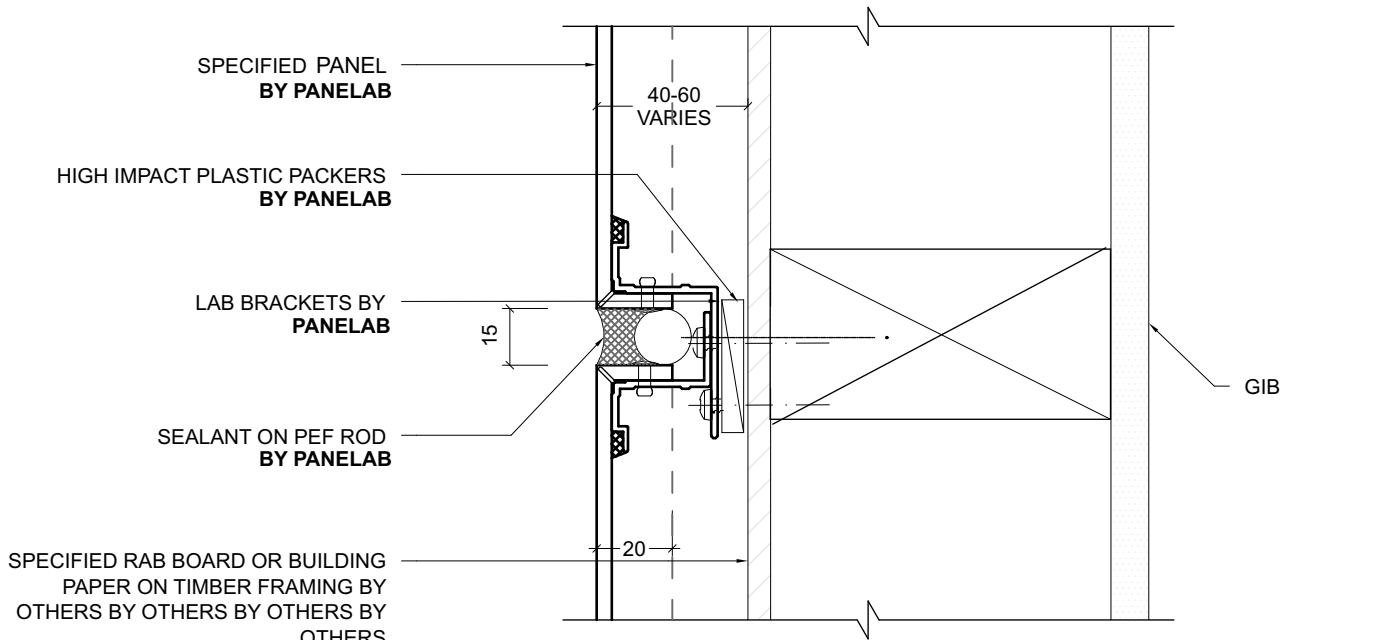
2 TYPICAL VERTICAL JOINT ON BUILDING PAPER 1:2 @ A4



TYPICAL HORIZONTAL JOINT DETAILS



1 TYPICAL CORNER (PLAN DETAIL)
1:2 @ A4

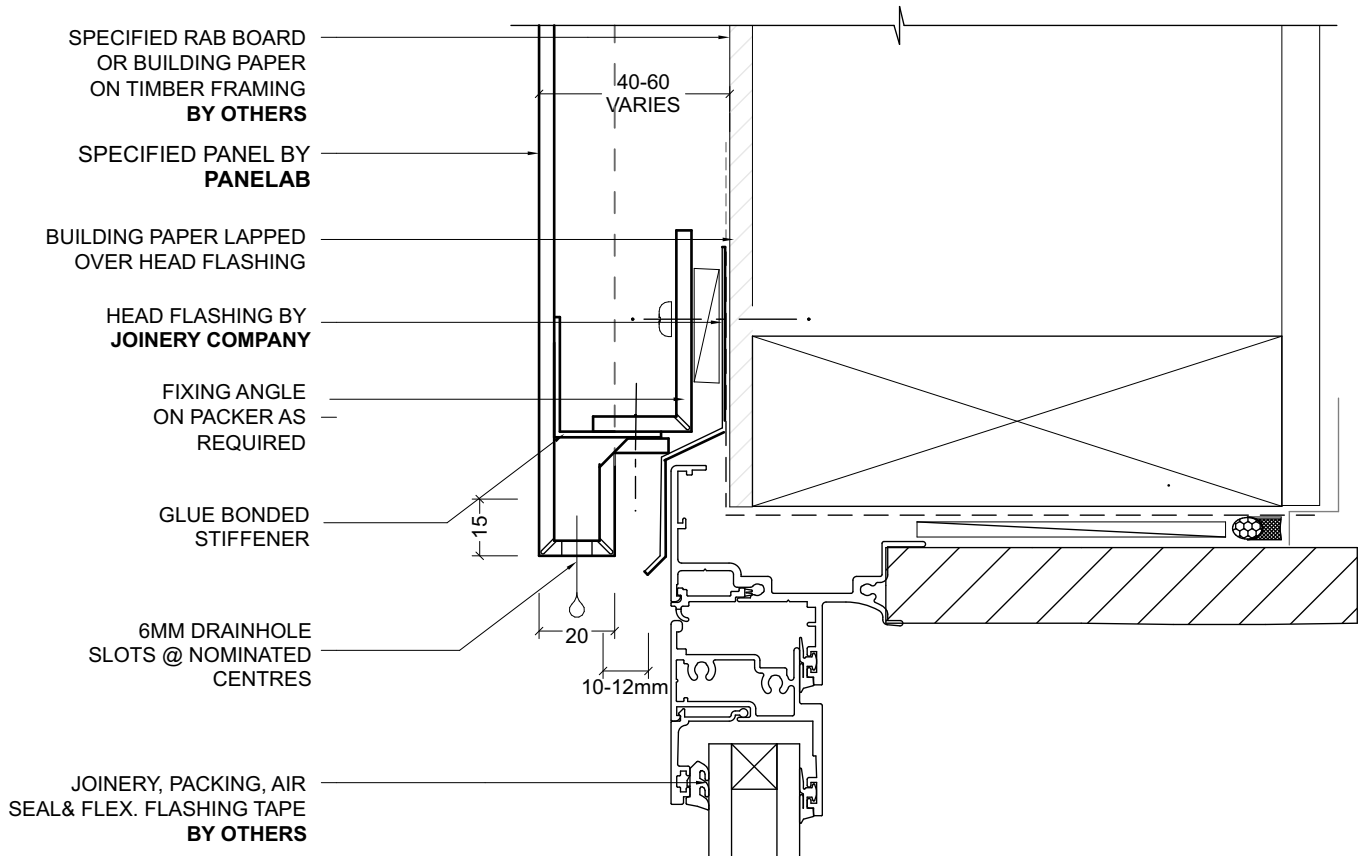


2 TYPICAL HORIZONTAL JOINT (SECTION DETAIL)
1:2 @ A4

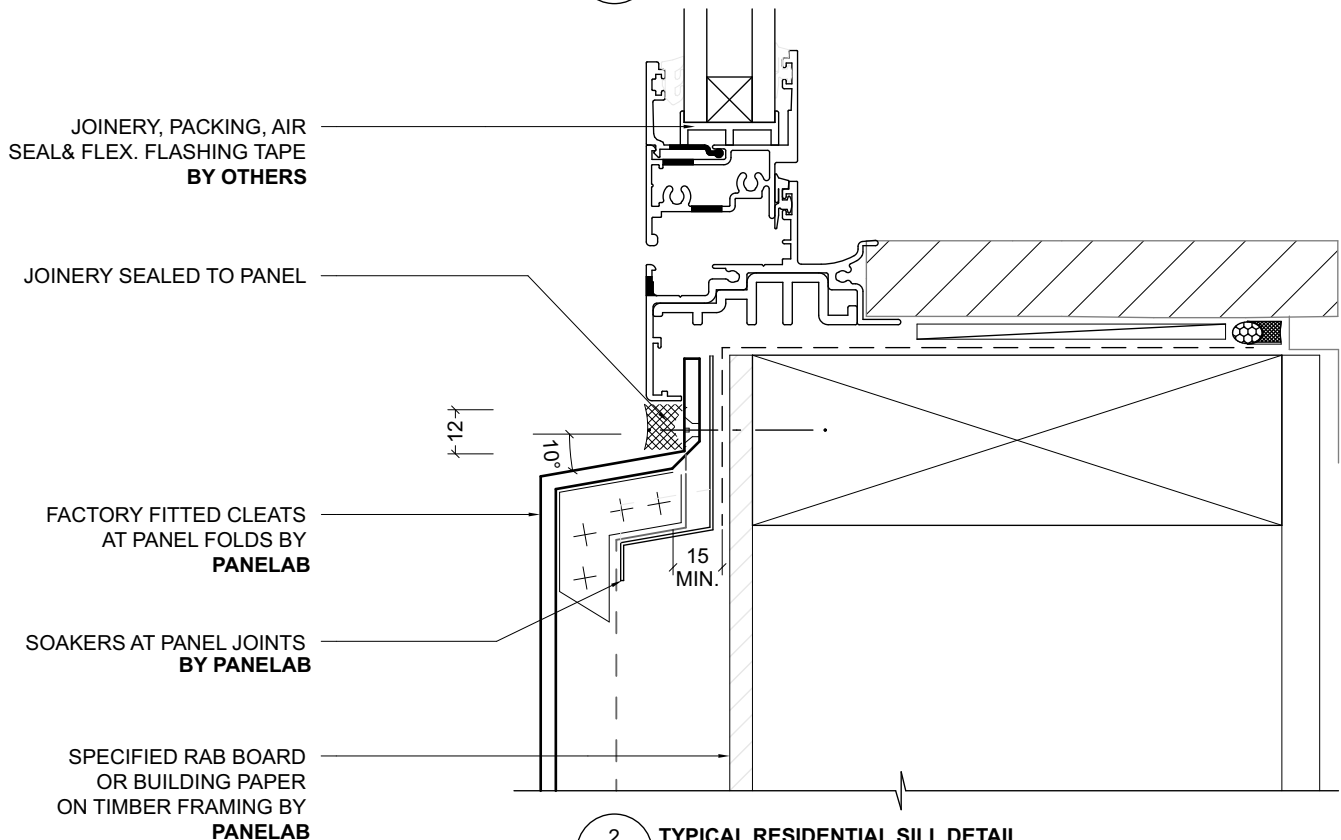
NOTE: TIMBER FRAMING TO BE AT 600 CTRS MAX FOR BOTH STUDS & NOGS. MAY BE REQUIRED AT CLOSER CENTERS SUBJECT TO ENGINEERING REQUIREMENTS



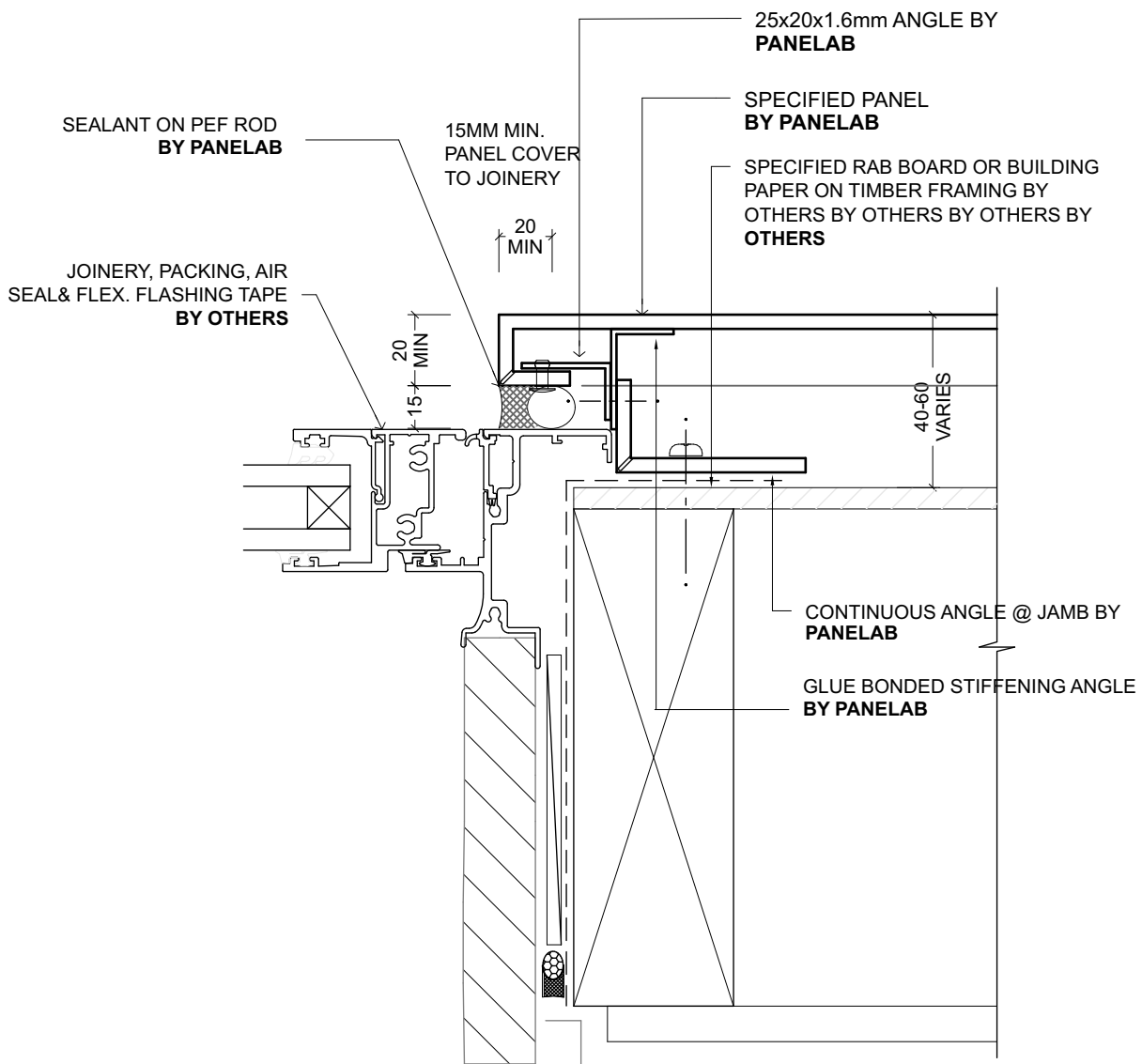
TYPICAL RESIDENTIAL JOINERY DETAILS



1 TYPICAL RESIDENTIAL HEAD DETAIL
-
1:2 @ A4



2 TYPICAL RESIDENTIAL SILL DETAIL
-
1:2 @ A4

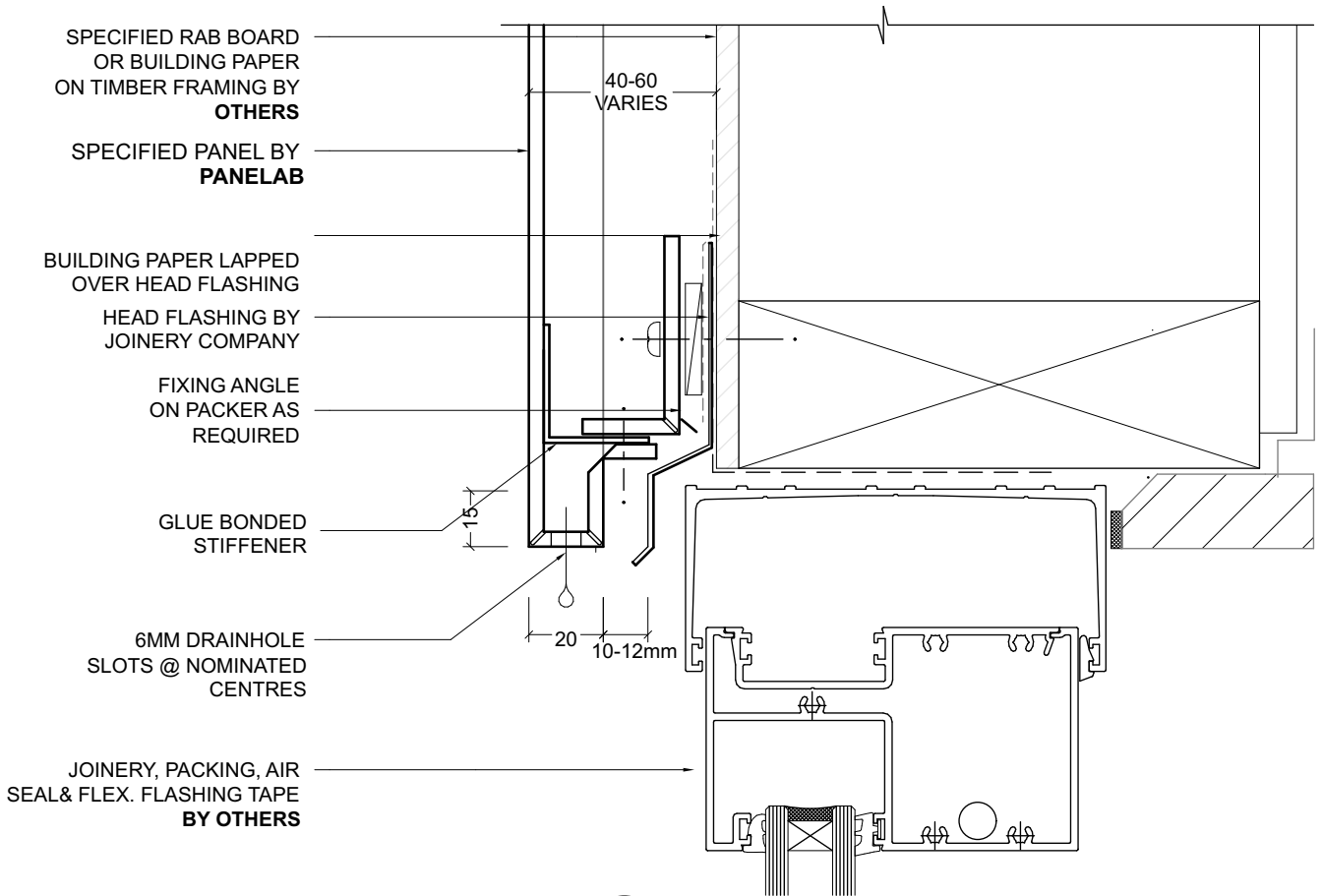


TYPICAL RESIDENTIAL JAMB DETAIL

1:2 @ A4

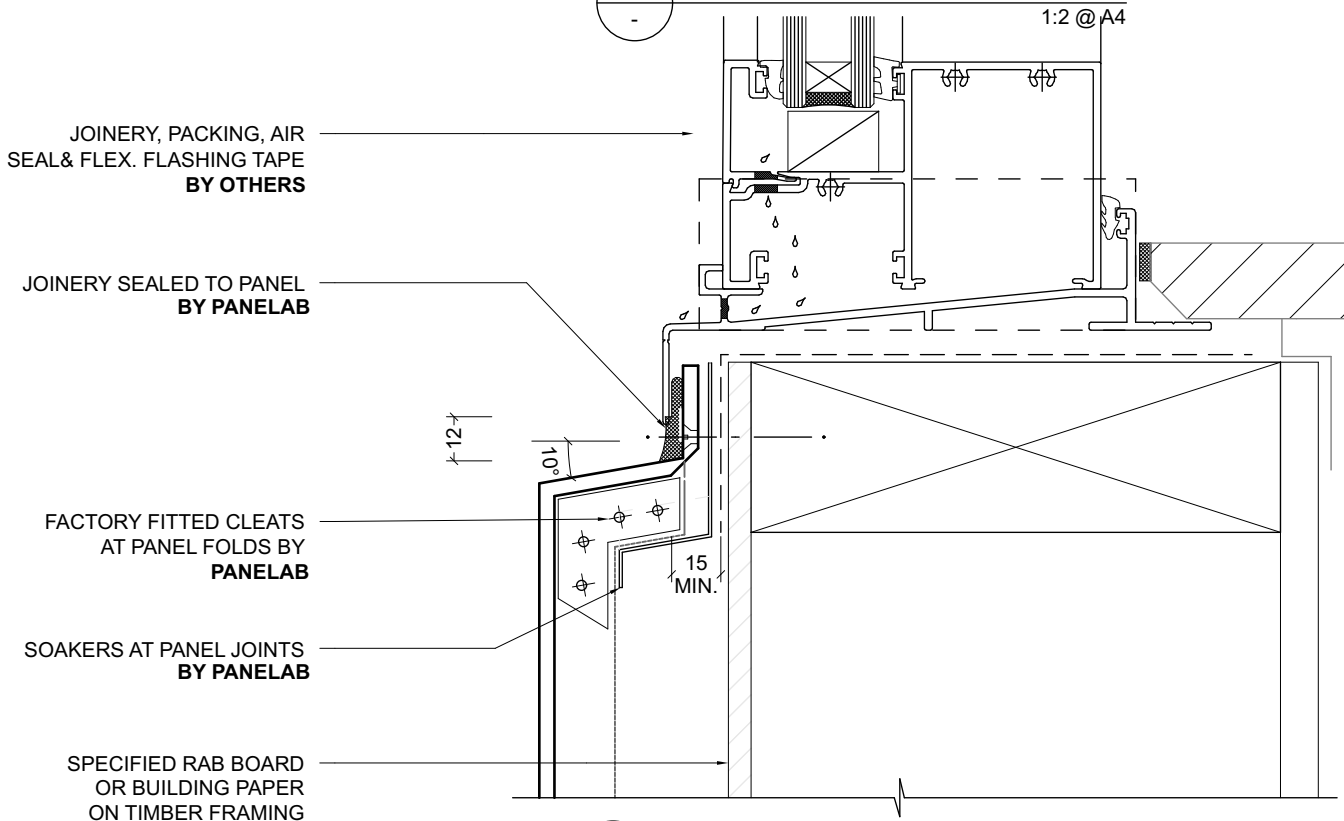


TYPICAL COMMERCIAL JOINERY DETAILS



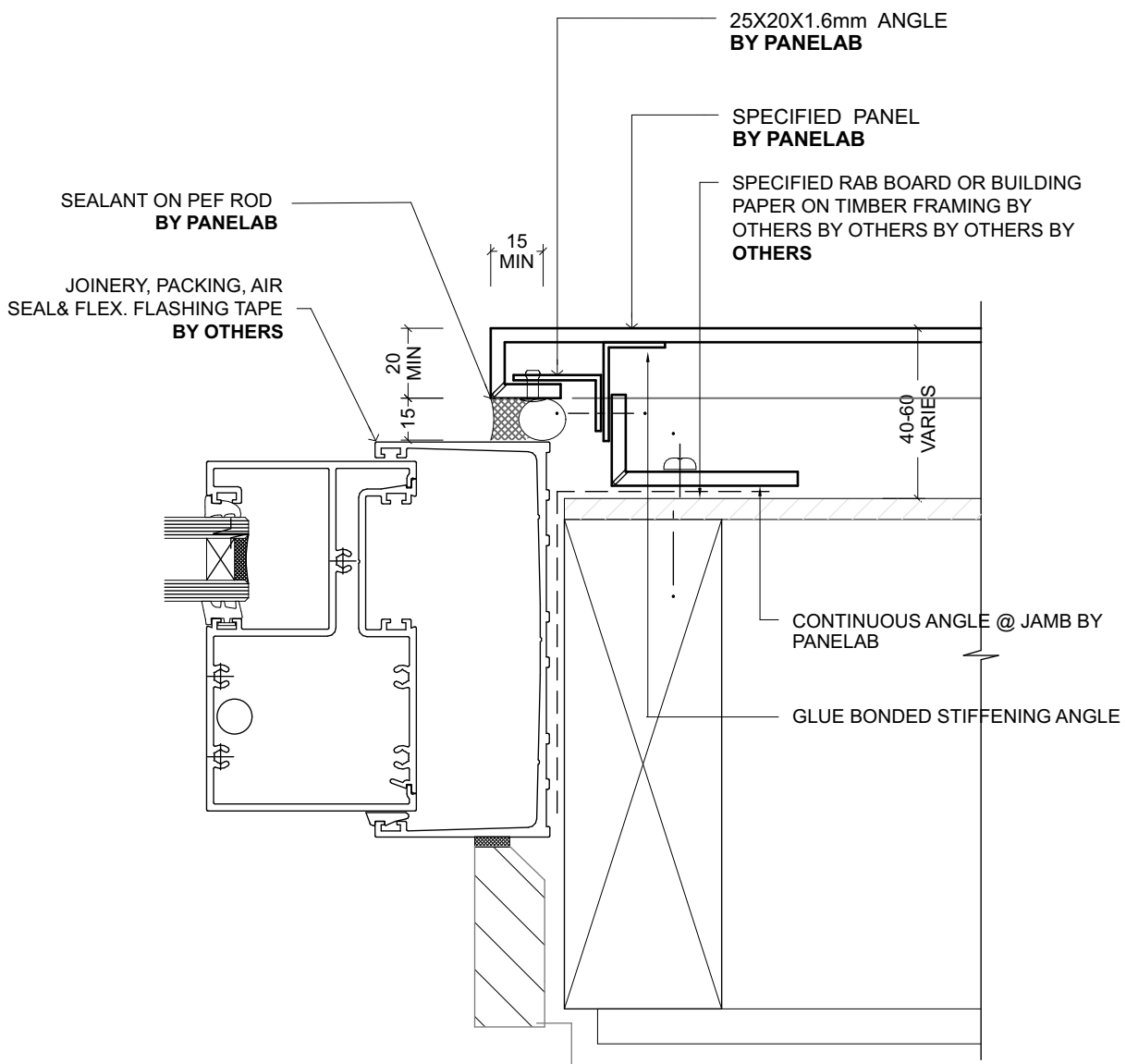
1 TYPICAL COMMERCIAL HEAD DETAIL

1:2 @ A4



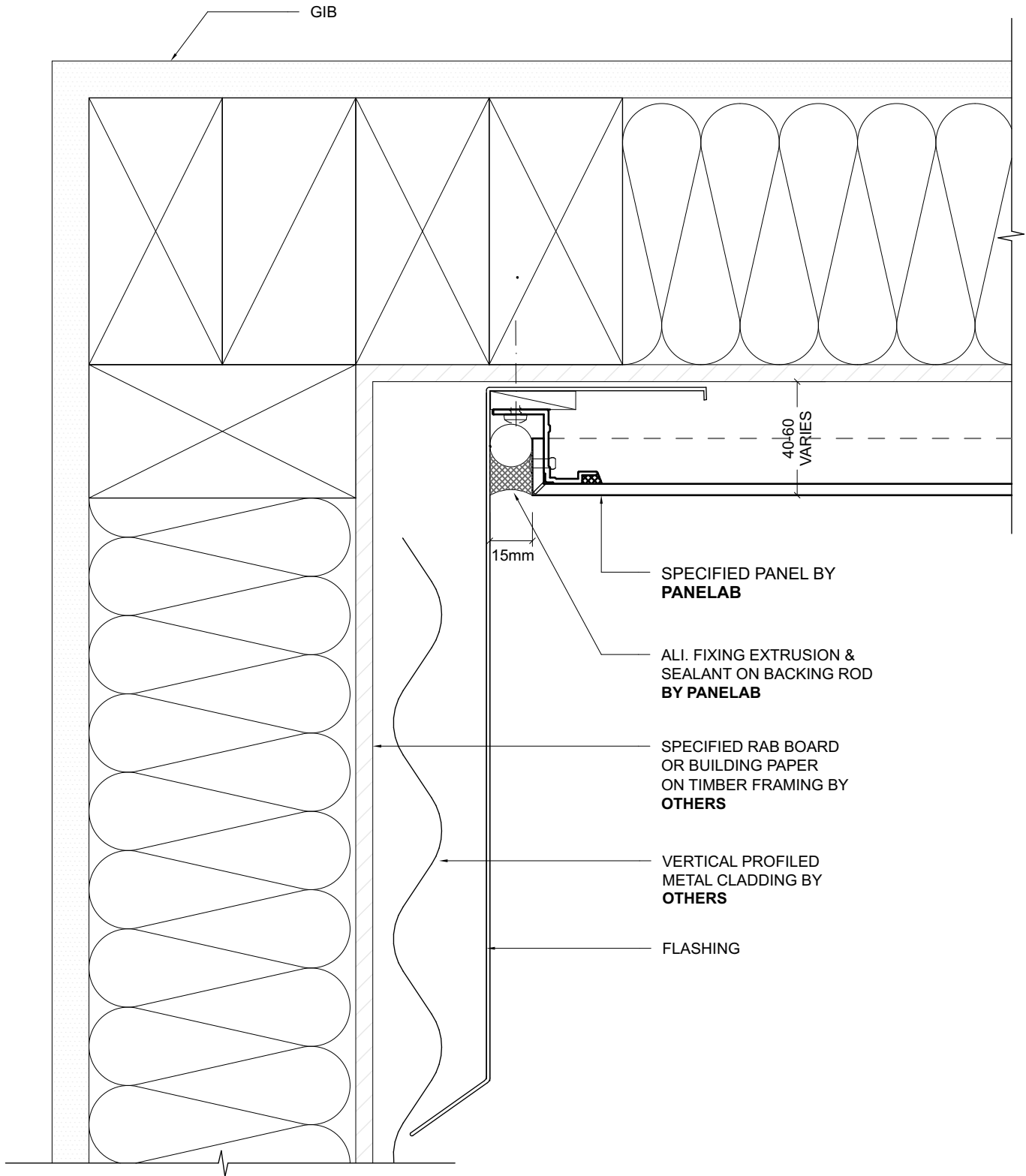
2 TYPICAL COMMERCIAL SILL DETAIL

1:2 @ A4



TYPICAL COMMERCIAL JAMB DETAIL

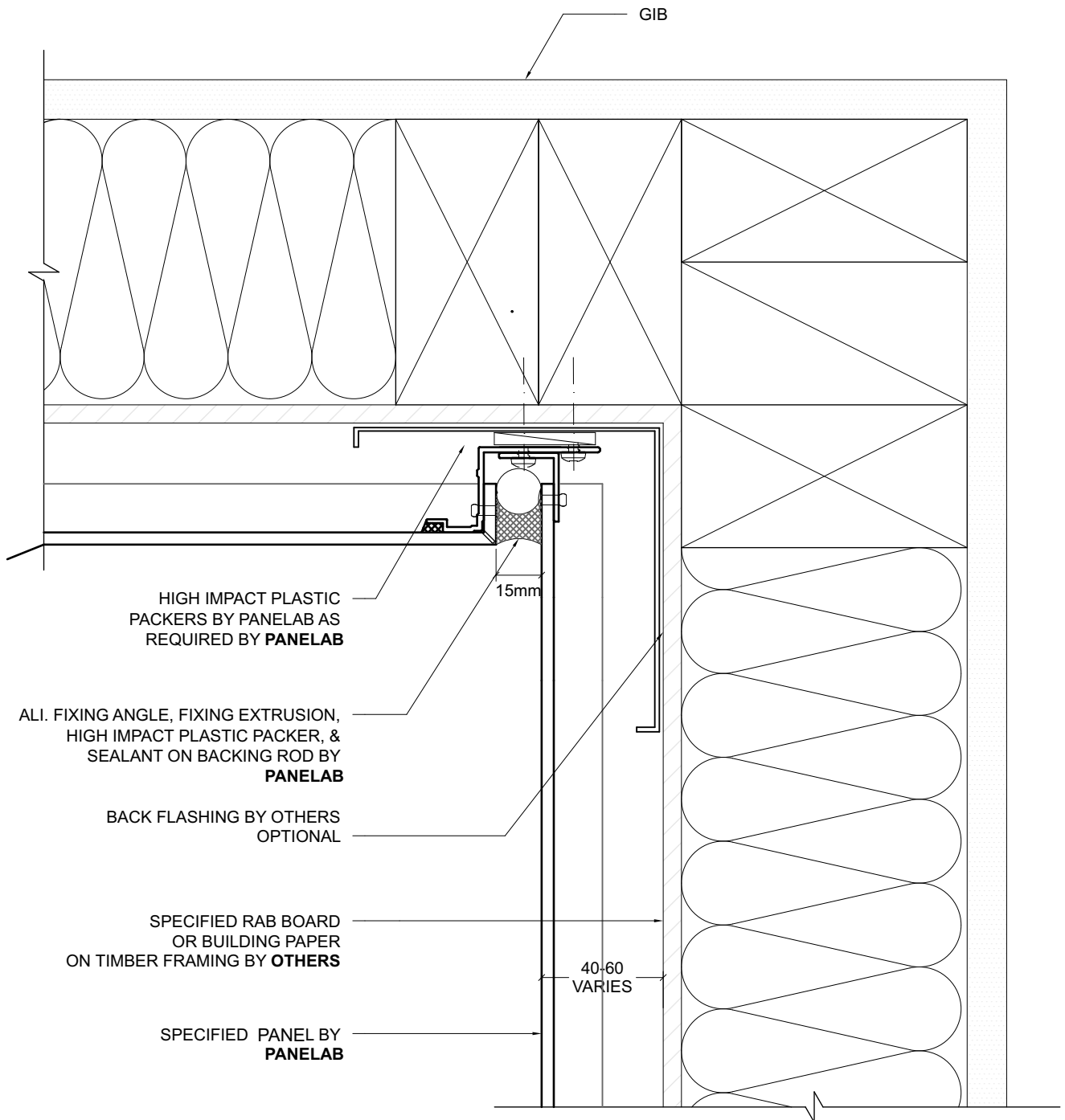
1:2 @ A4



INTERNAL CORNER / VERTICAL PROFILED METAL JUNCTION

1:2 @ A4

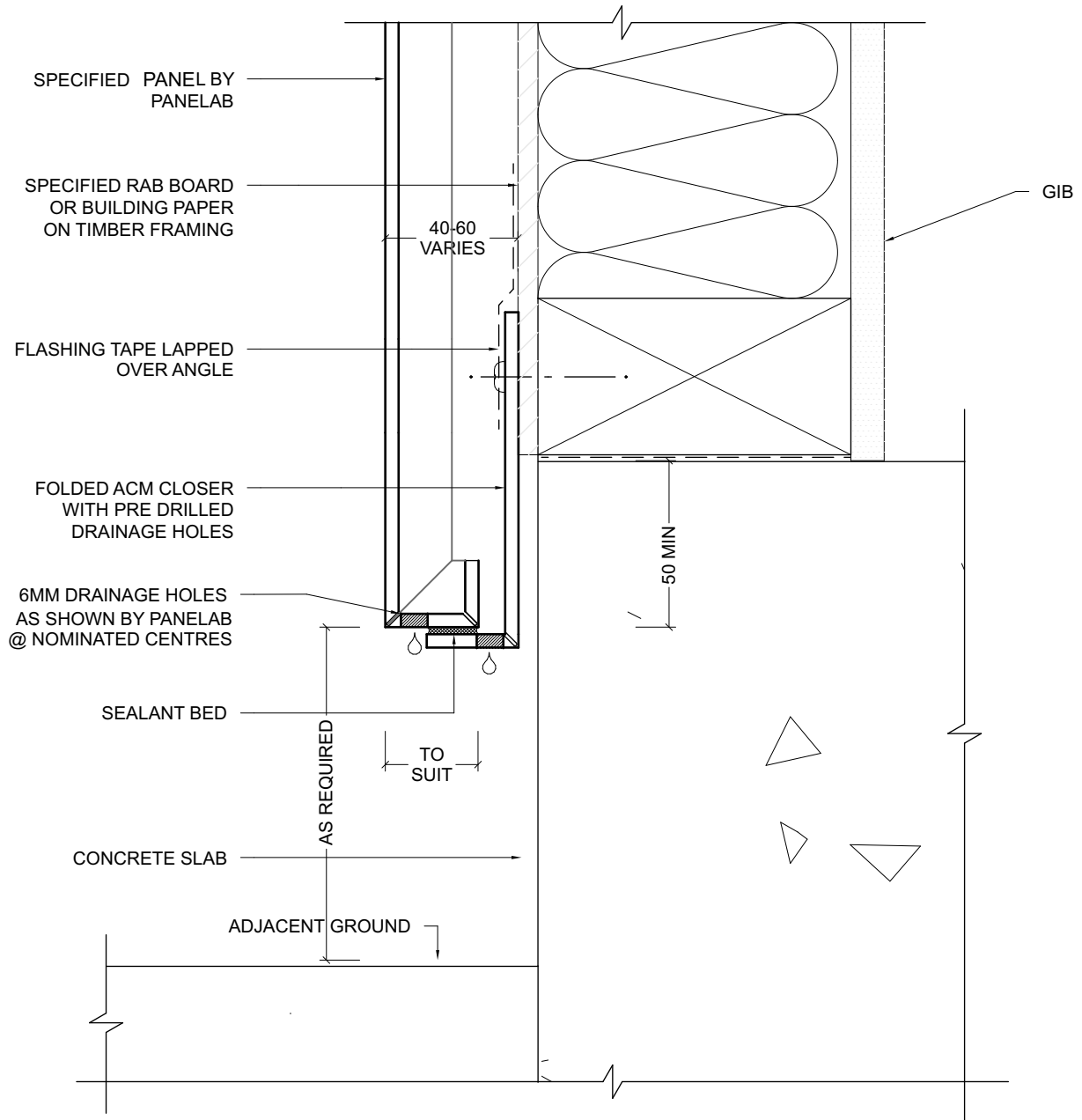
TYPICAL INTERNAL CORNER DETAIL



TYPICAL INTERNAL CORNER

1:2 @ A4

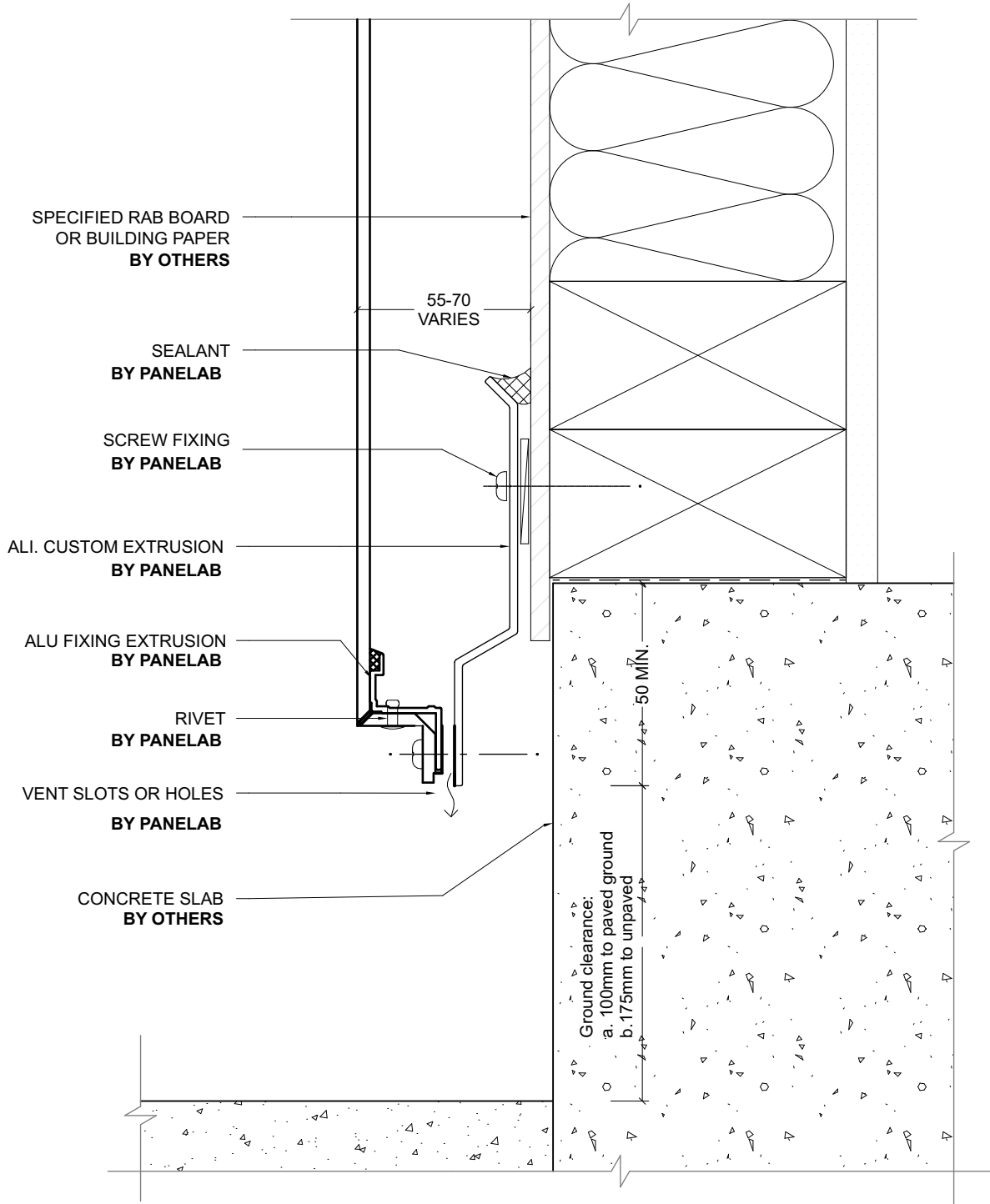
TYPICAL BASE DETAIL



BASE DETAIL 1

1:2 @ A4

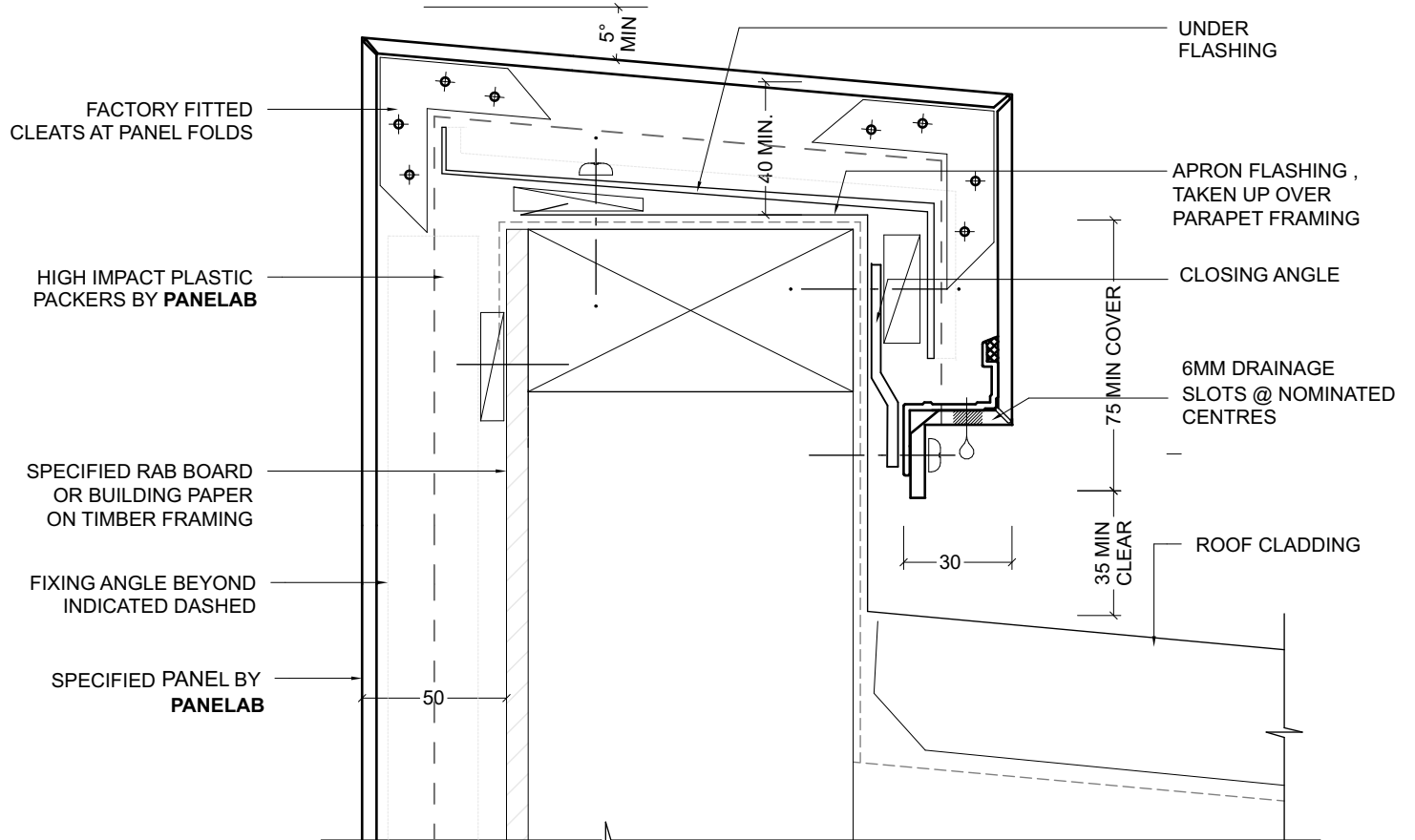
TYPICAL BASE DETAIL



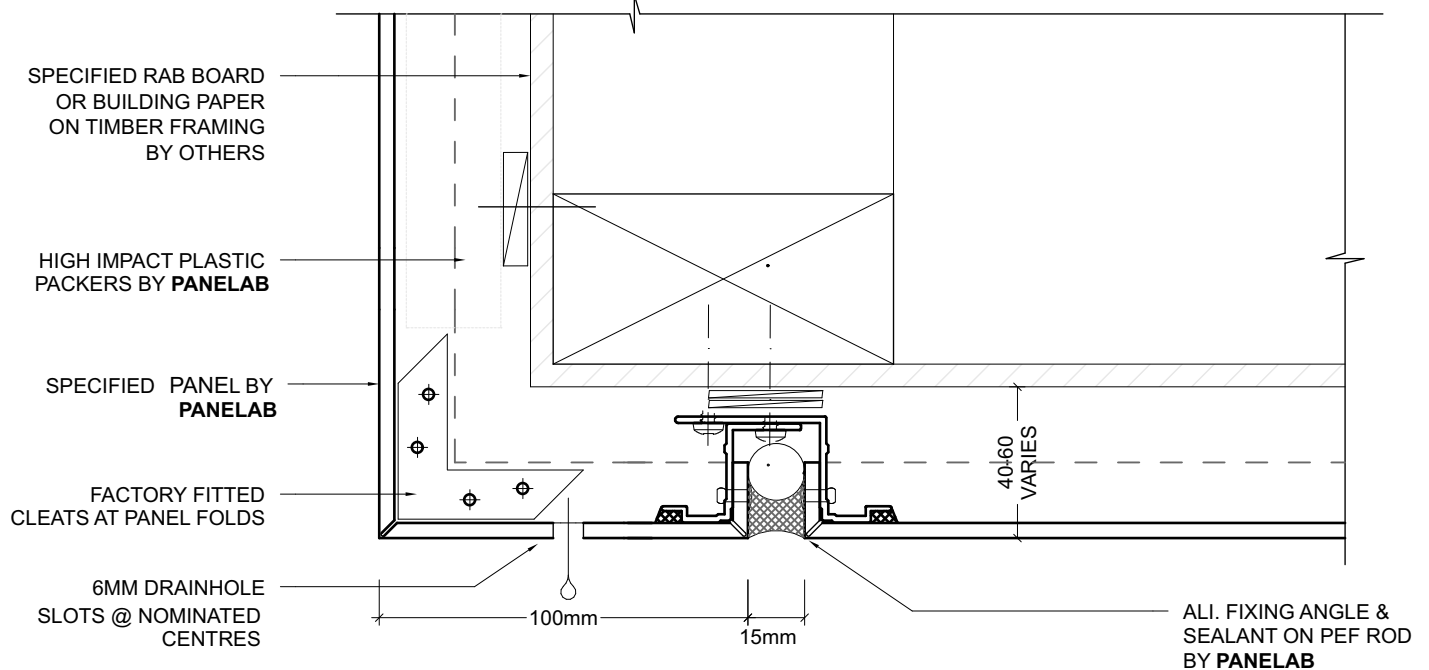
BASE DETAIL 2

1:2 @ A4

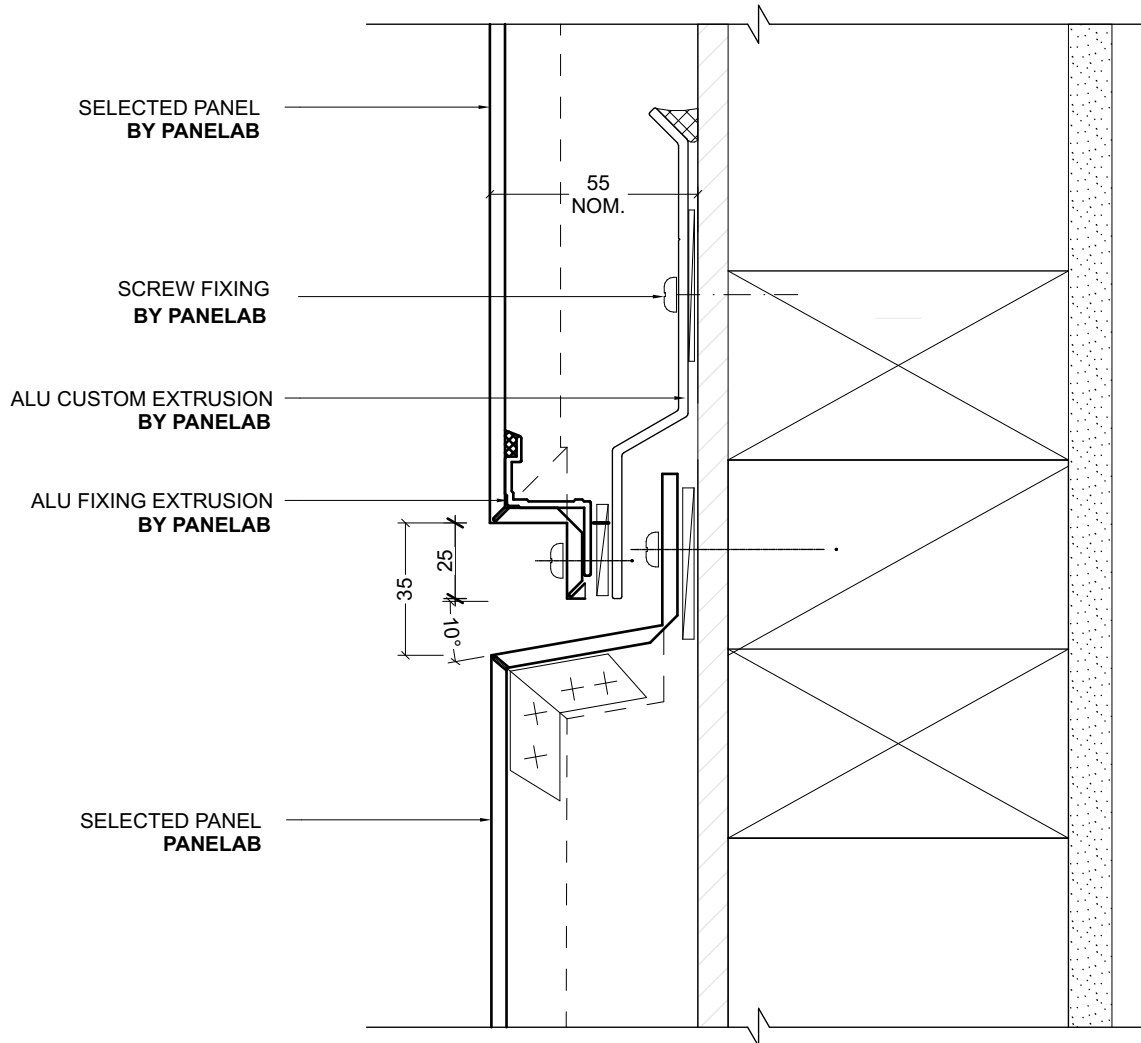
FASCIA TO SOFFIT JUNCTION DETAIL



1 TYPICAL PARAPET DETAIL 1:2 @ A4



2 ACM FASCIA TO SOFFIT 1:2 @ A4

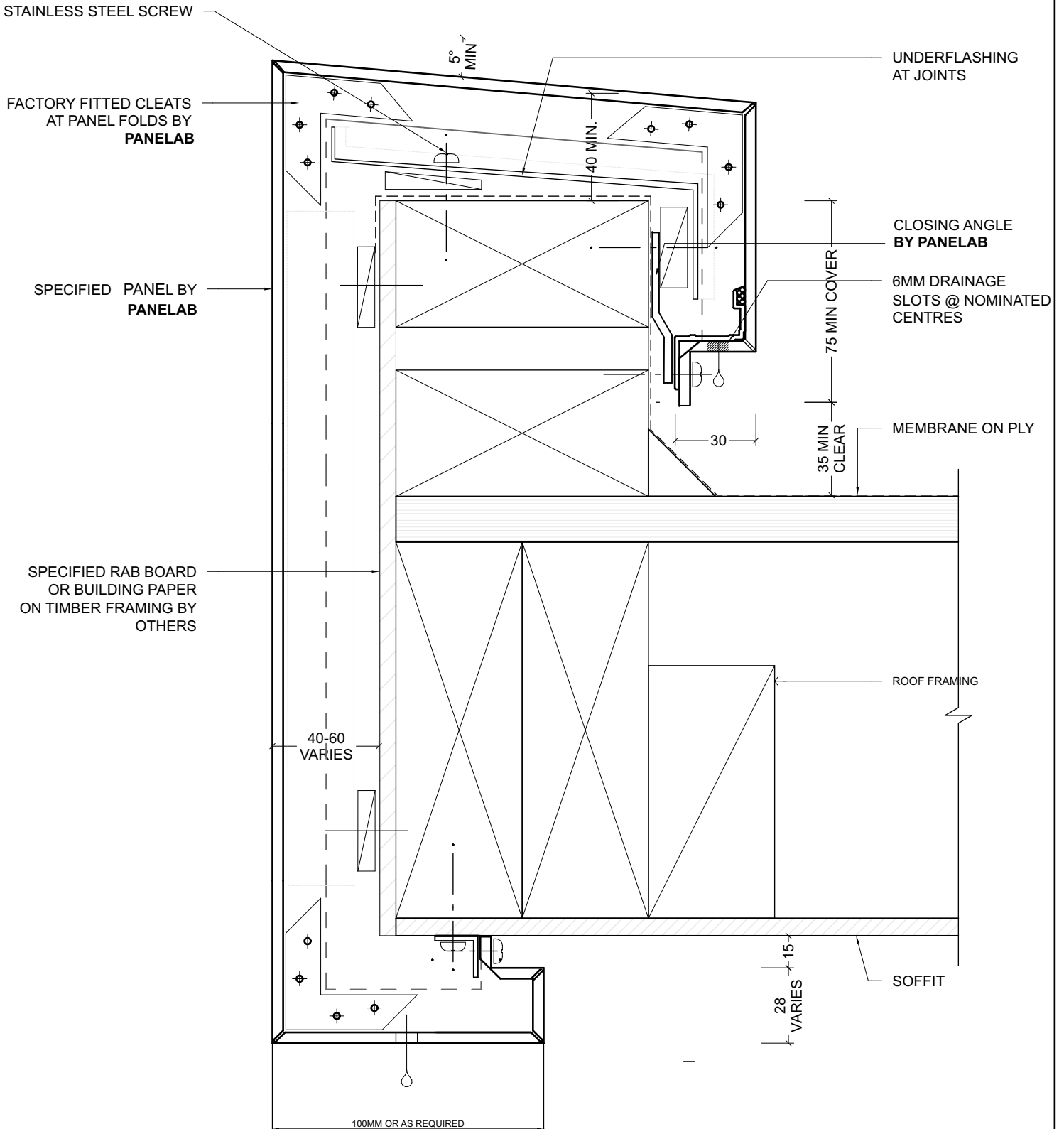


INTER-STOREY JOINT (SECTION)

1:2 @ A4



FASCIA TO SOFFIT JUNCTION DETAIL-1



1 ACM FASCIA - SOFFIT
-
1:2 @ A4