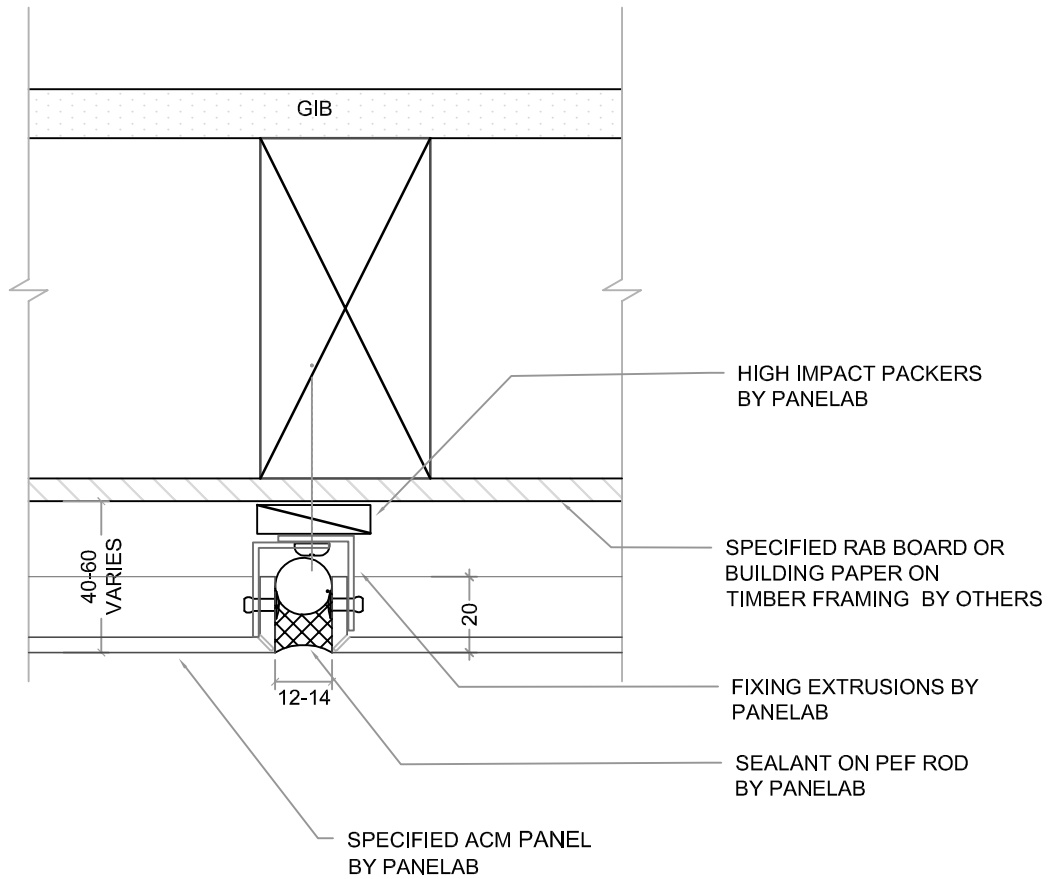
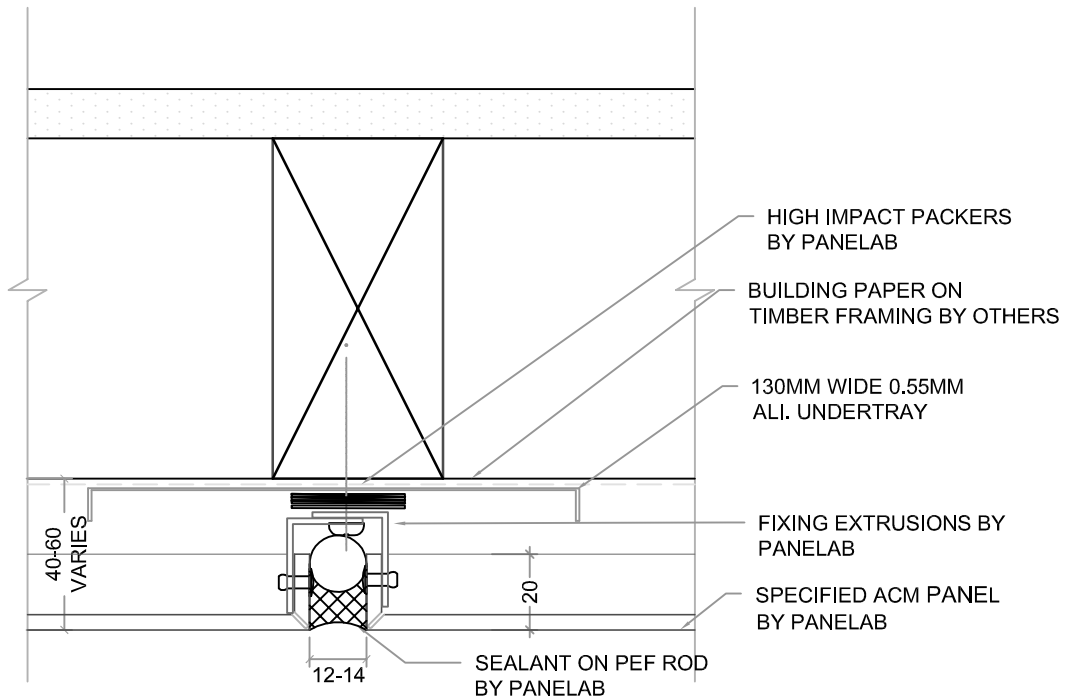




TYPICAL VERTICAL JOINT DETAILS



1 TYPICAL VERTICAL JOINT
- 1:2 @ A4



2 TYPICAL VERTICAL JOINT ON BUILDING PAPER
- 1:2 @ A4