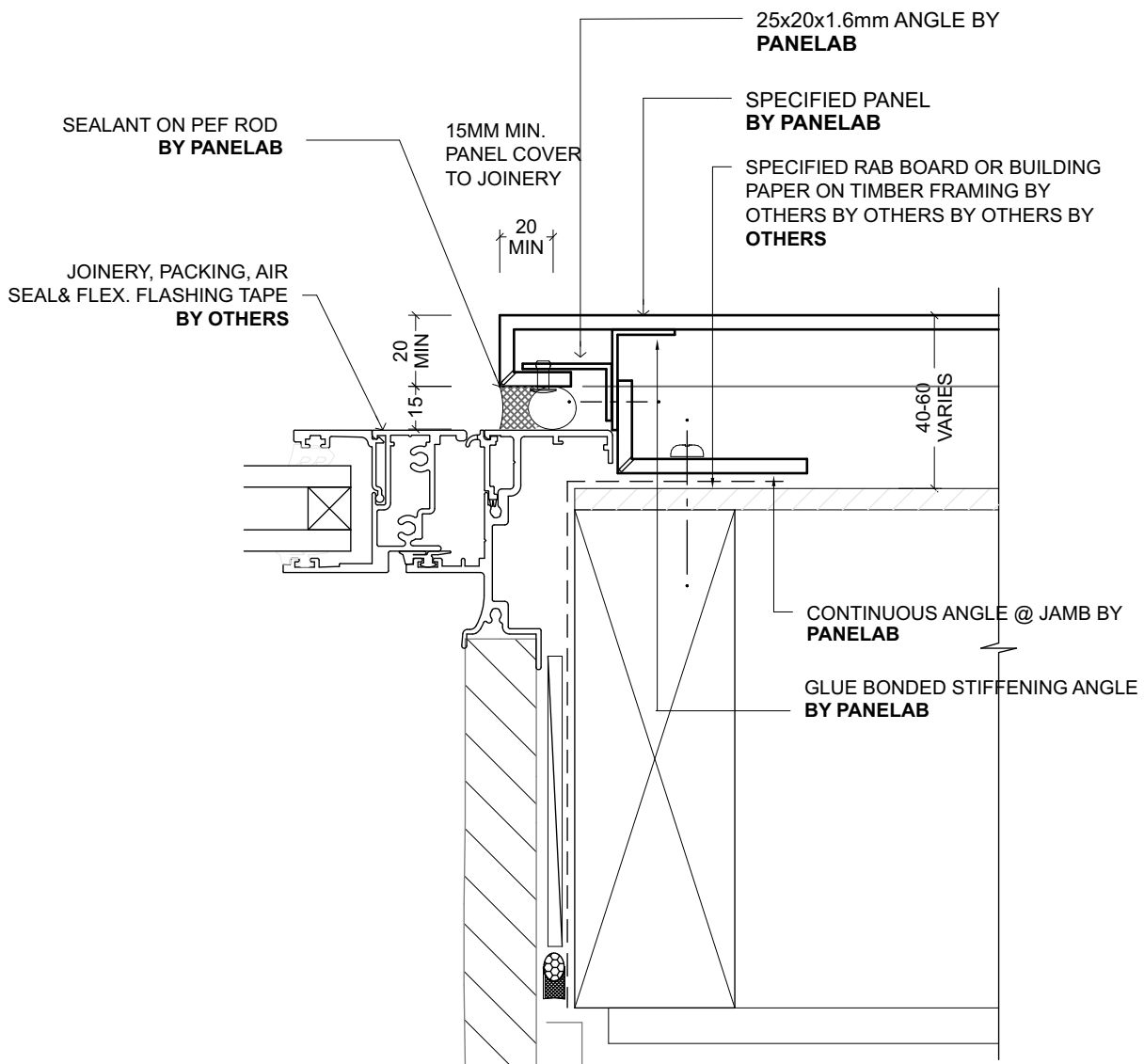


TYPICAL RESIDENTIAL JAMB DETAIL



TYPICAL RESIDENTIAL JAMB DETAIL

1:2 @ A4