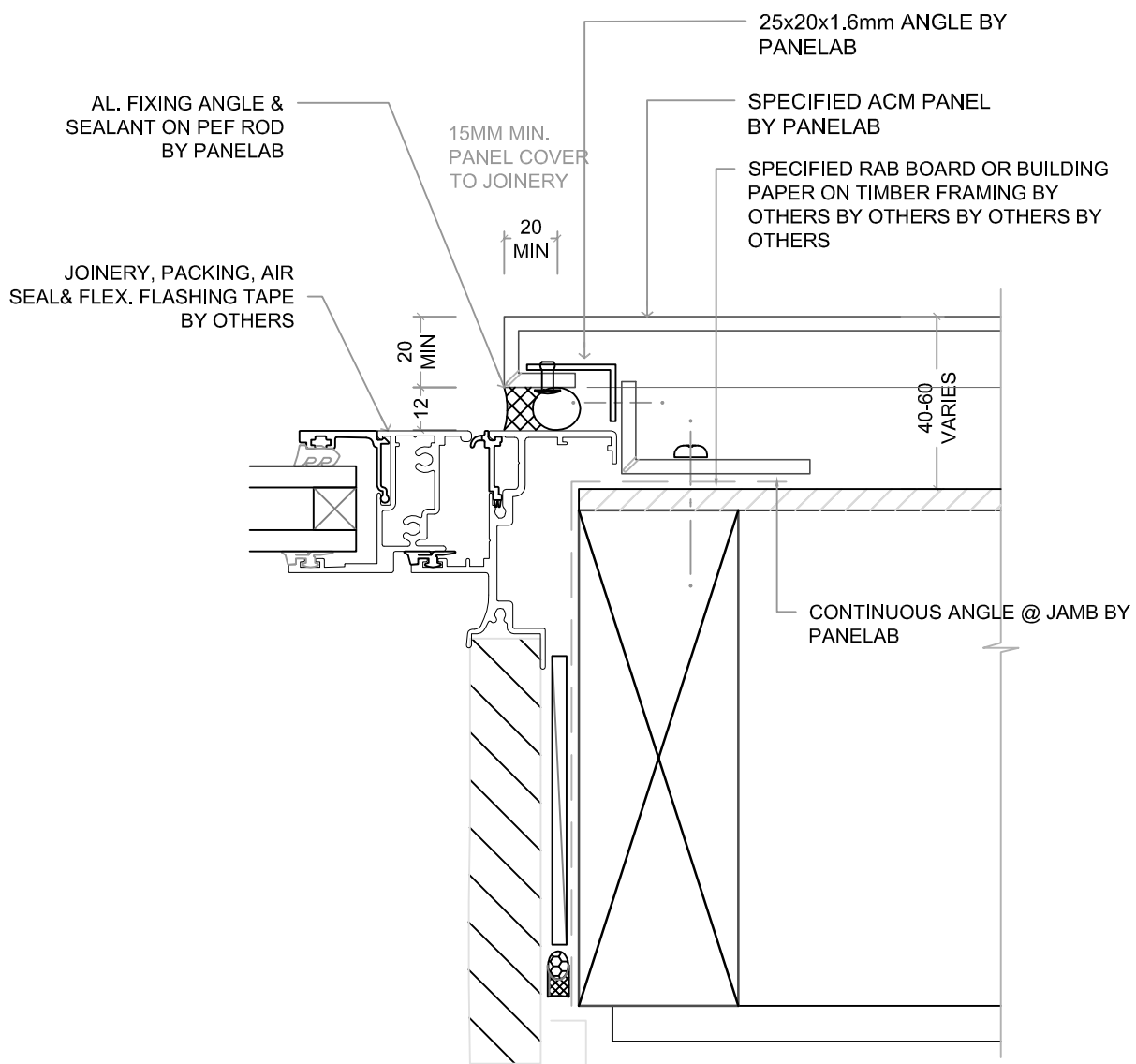




**TYPICAL RESIDENTIAL JAMB DETAIL**



1 TYPICAL RESIDENTIAL JAMB DETAIL  
- 1:2 @ A4