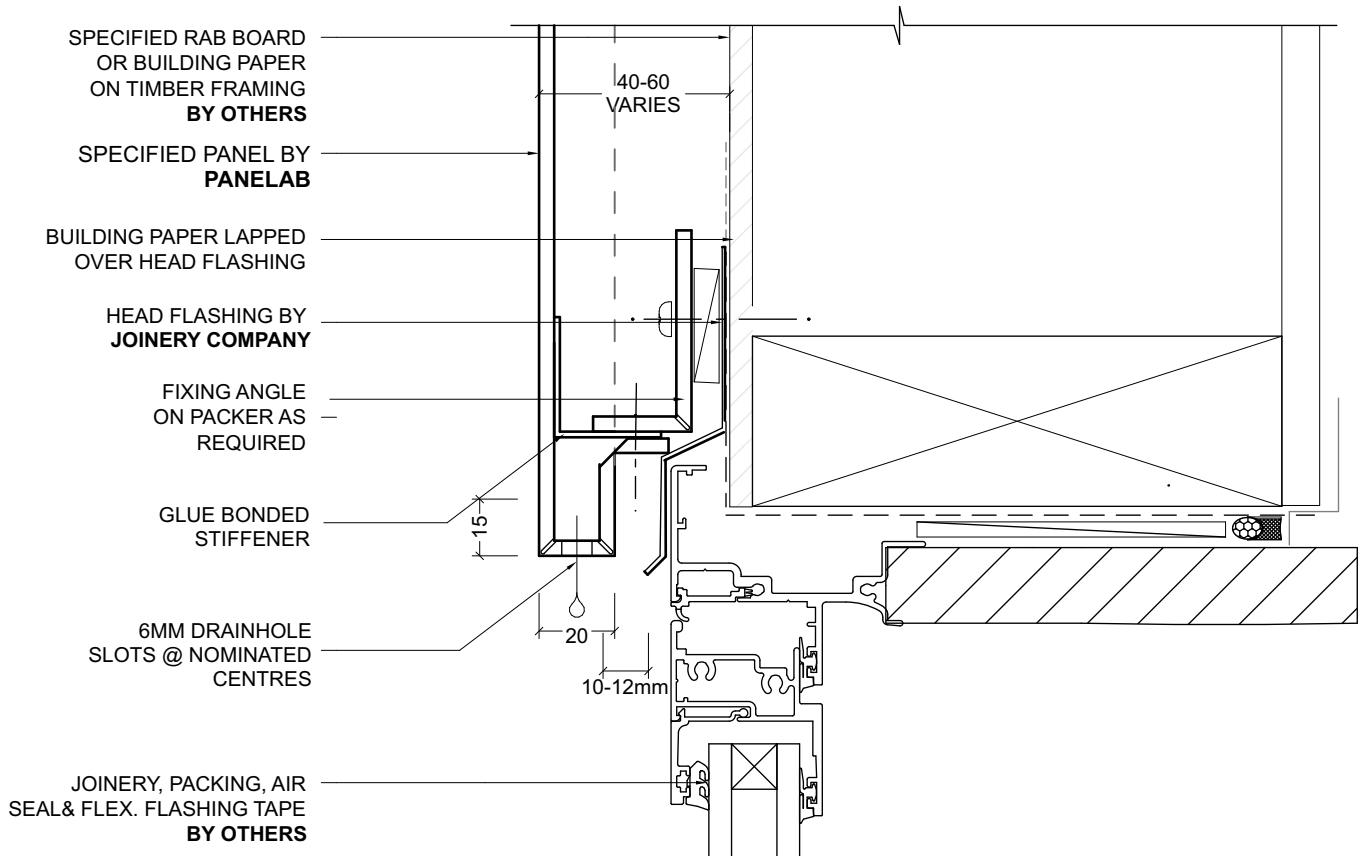
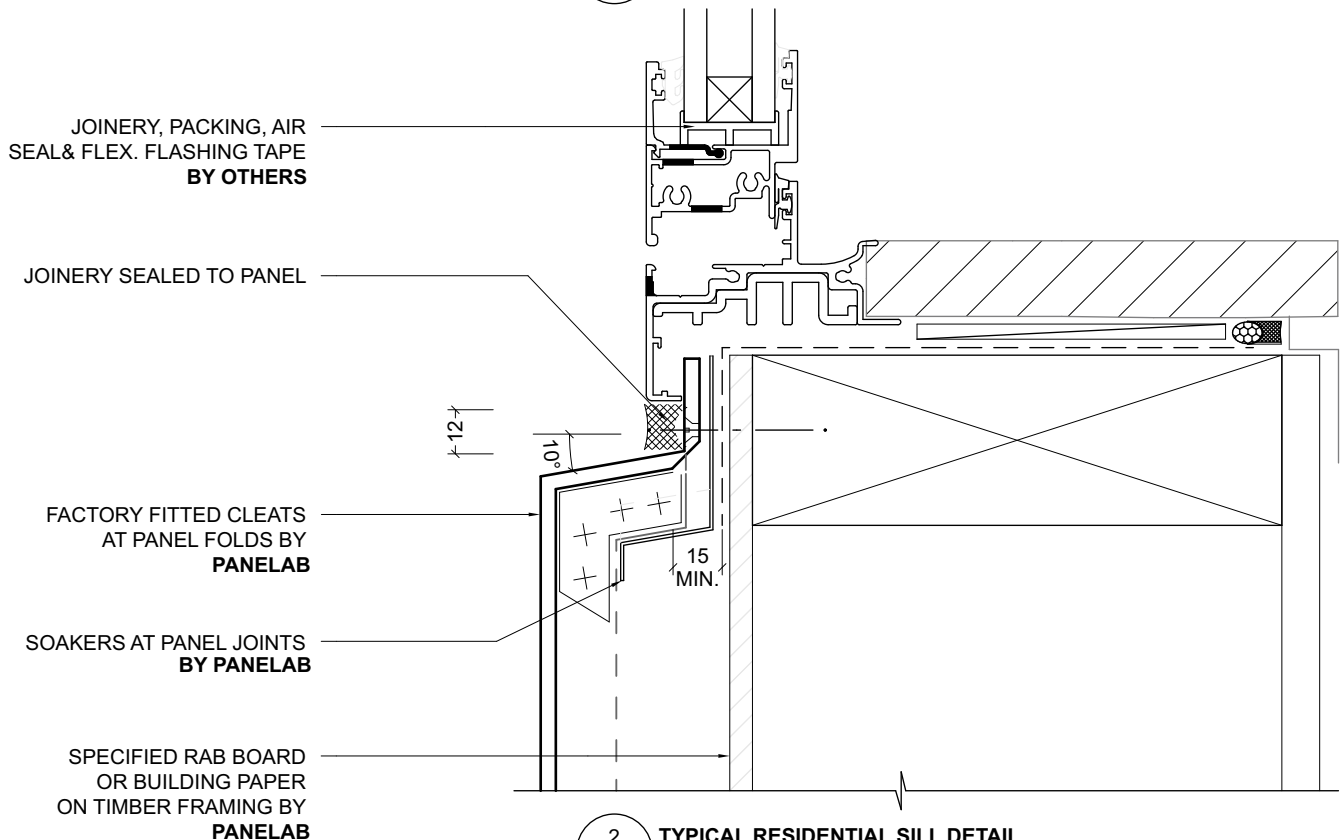




## TYPICAL RESIDENTIAL JOINERY DETAILS



1 TYPICAL RESIDENTIAL HEAD DETAIL  
1:2 @ A4



2 TYPICAL RESIDENTIAL SILL DETAIL  
1:2 @ A4