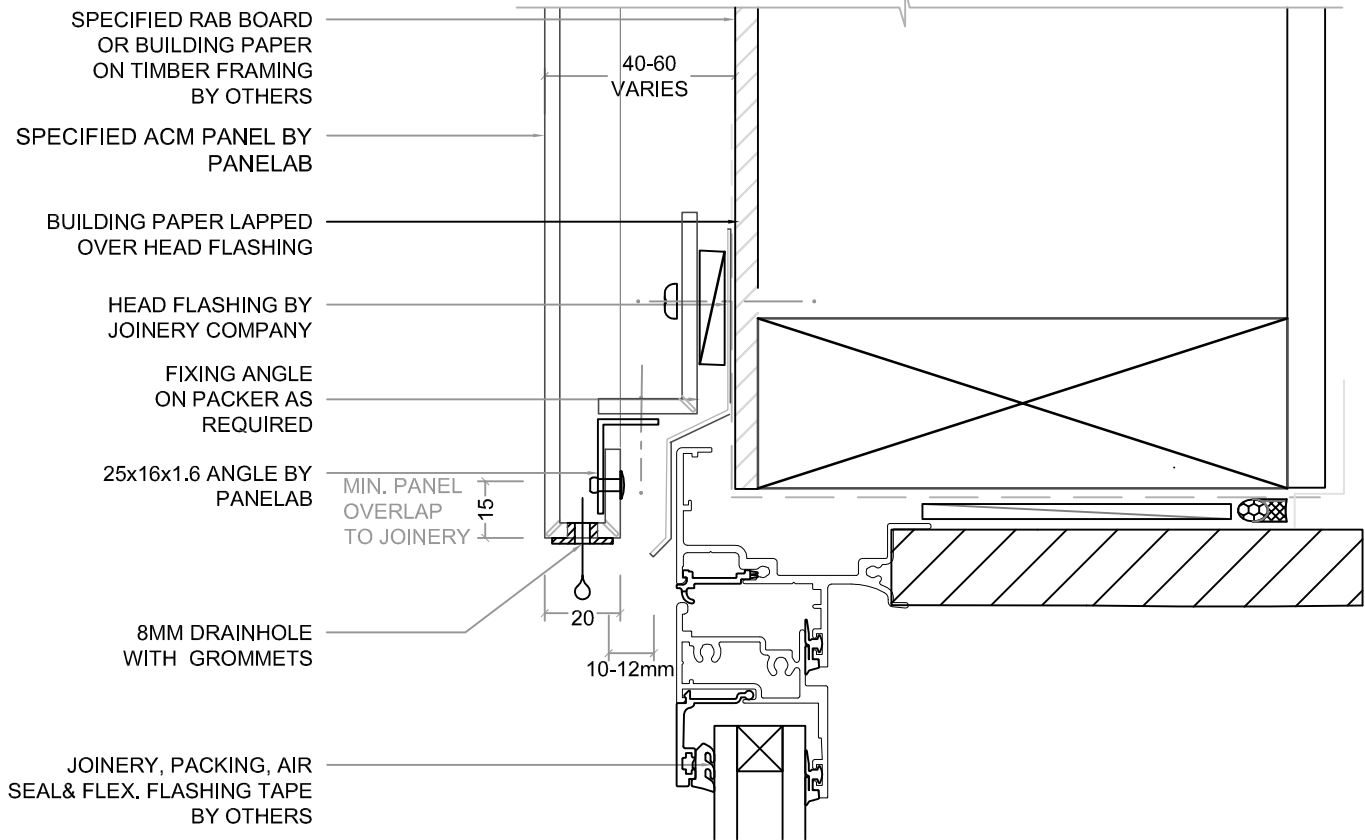
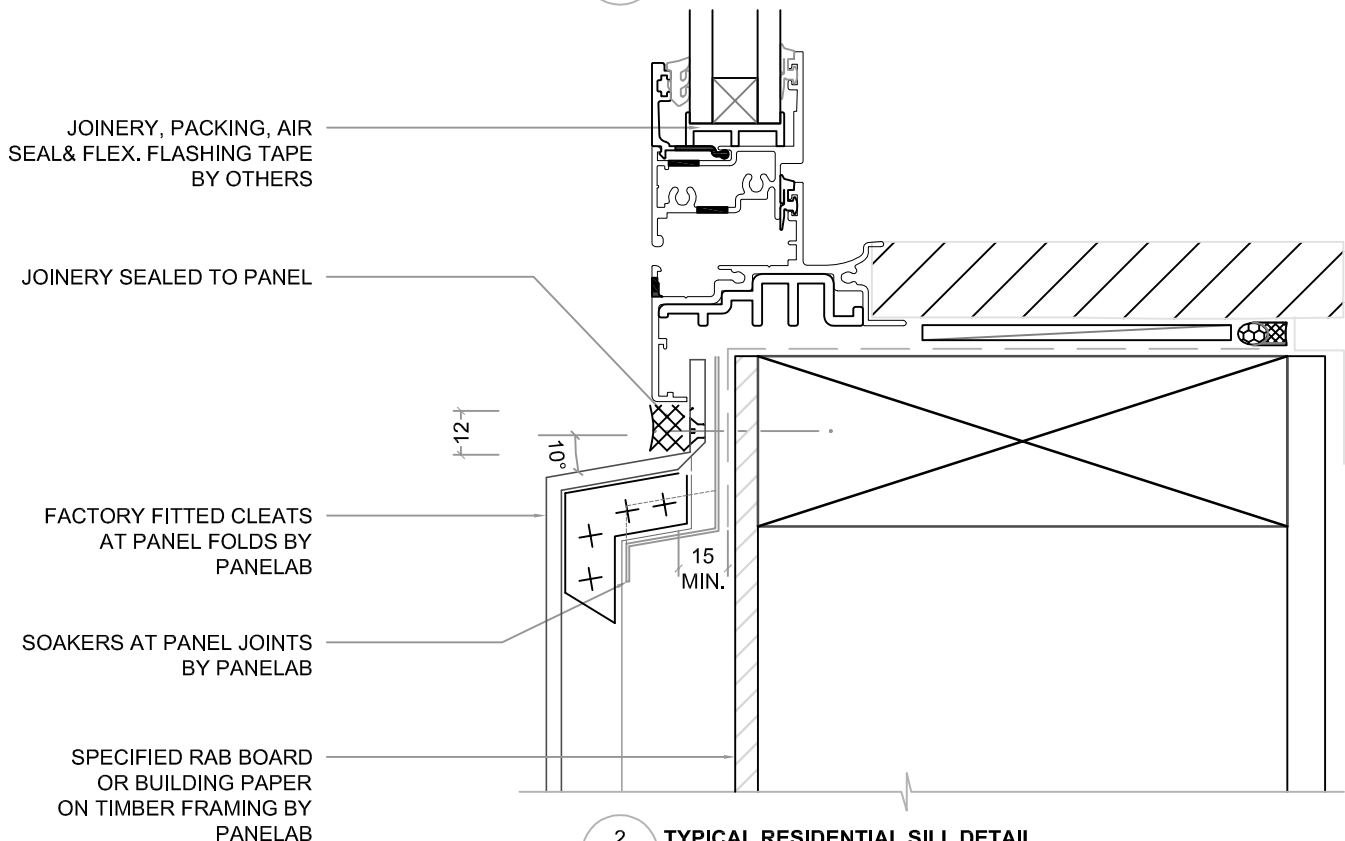




TYPICAL RESIDENTIAL JOINERY DETAILS



1 **TYPICAL RESIDENTIAL HEAD DETAIL**
1:2 @ A4



2 **TYPICAL RESIDENTIAL SILL DETAIL**
1:2 @ A4