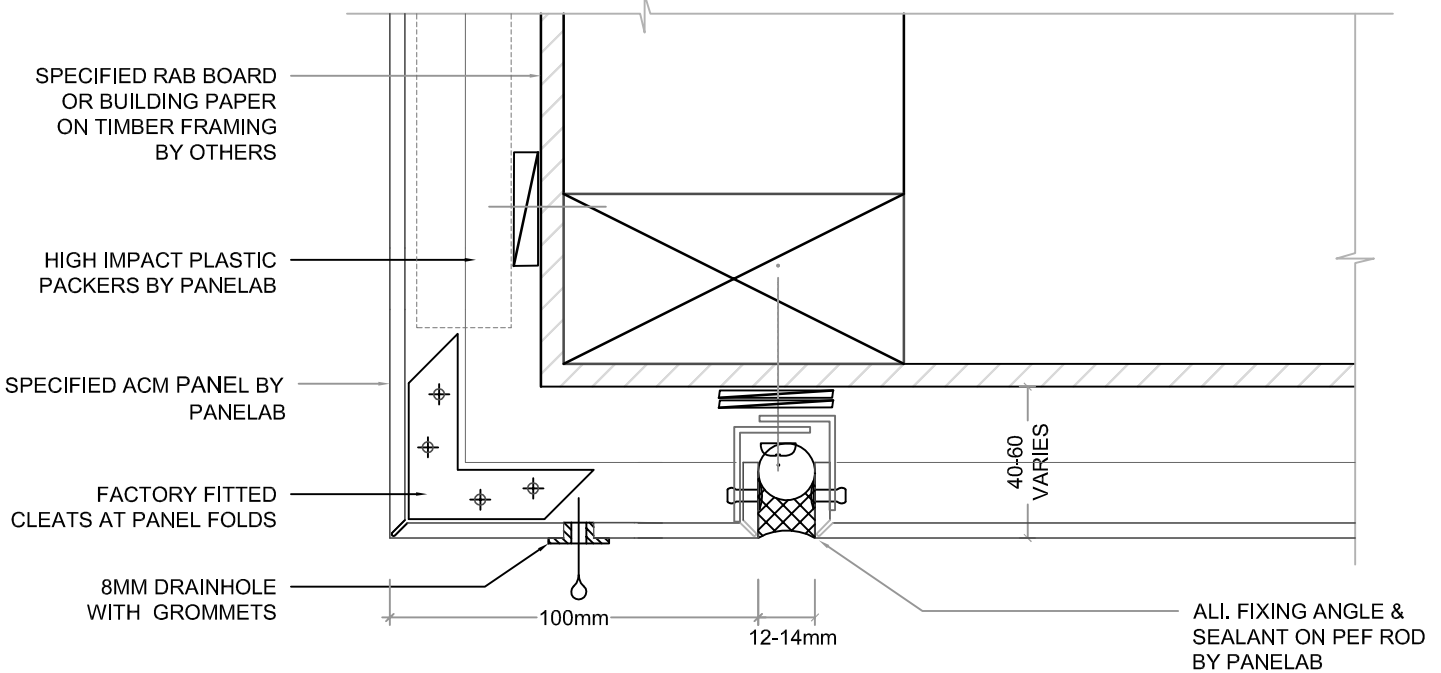


1 **TYPICAL PARAPET DETAIL**
 -
 1:2 @ A4



2 **ACM FASCIA TO SOFFIT**
 -
 1:2 @ A4